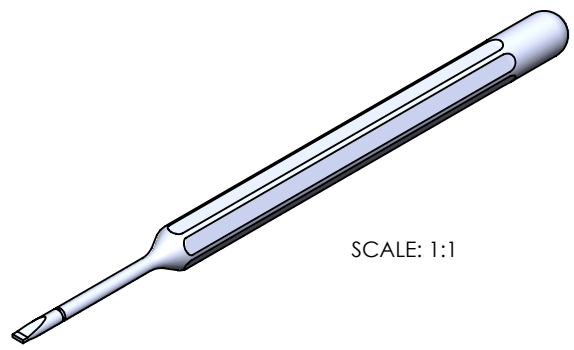
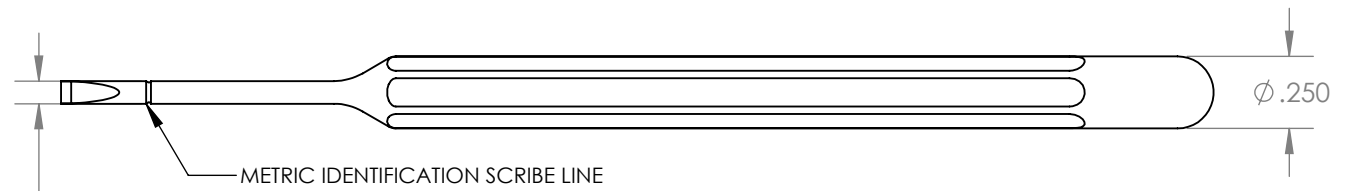


$\left[\begin{matrix} 2.00 & 0.00 \\ -0.05 & \end{matrix} \right]$
 $\phi .0787^{+.0000}$
 $-.0020$



SCALE: 1:1

UNLESS OTHERWISE SPECIFIED: DIMENSIONS ARE IN INCHES			TOLERANCES: X.XX= ±0.13 X.XXX= ±0.015 X.XXXX= -0.0015		 The Global Source for Stainless Steel Tools
DRAWN	NAME	SIGN	DATE		
APP'VD	A.T.		05.31.19		
MATERIAL: 465 MAGNETIC S.S.					TITLE: 2.0MM PARALLEL TIP PRECISION MINI SCREWDRIVER
THIS DRAWING IS THE PROPERTY OF STERITOOL, INC. ANY REPRODUCTIONS OR MODIFICATIONS OF THIS DRAWING OR ITS CONTENTS WITHOUT THE CONSENT OF STERITOOL, INC. IS PROHIBITED.					PART NO. 11242
					SCALE: 1.5:1